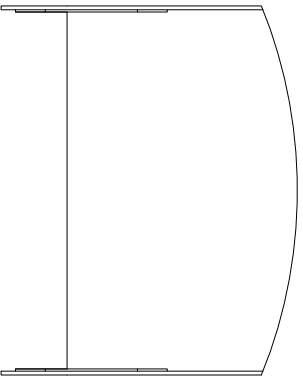
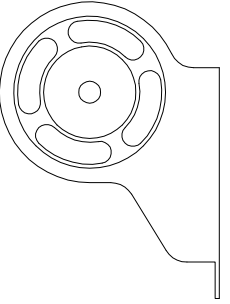
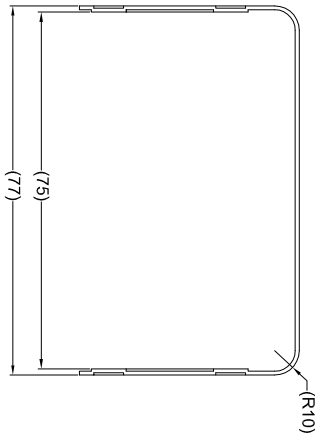
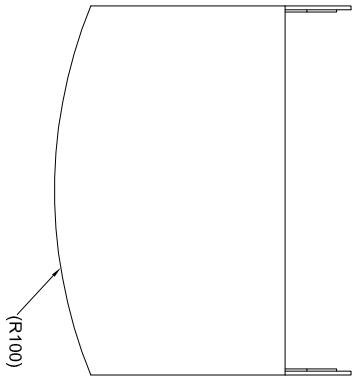
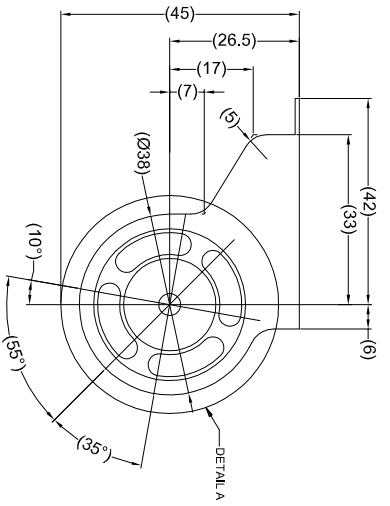
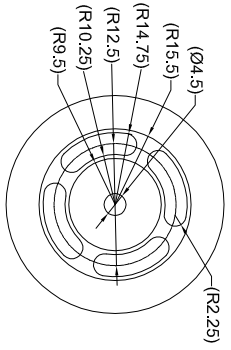


Rev/No	Revision note	Date	Signature	Checked
1	DIMENSIONS CORRECTED IN DRAWING.	20/04/2010	DK	BC
2	DIMENSIONS CORRECTED IN DRAWING.	03/11/2010	DK	MB

**DETAIL A**



- NOTES:**
1. DIMENSIONS IN MM.
  2. FINISH: BLACK
  3. MATERIAL: SUS-304 0.8T

PROPRIETARY NOTICE  
 THIS DESIGN AND TECHNICAL INFORMATION APPEARING ON THIS DRAWING IS THE PROPERTY OF BRIGADE ELECTRONICS PLC, AND IS DISCLOSED IN CONFIDENCE. IT IS NOT TO BE COPIED, REPRODUCED, REVEALED TO OR APPROPRIATE BY OTHERS, EITHER IN WHOLE OR IN PART WITHOUT THE EXPRESS WRITTEN CONSENT OF BRIGADE ELECTRONICS PLC.

ASSEMBLY PLANT REF: 4DBSEBC72B

Item#	Quantity	Title/Name, designation, material, dimension etc	Article No./Reference
Designed by MOUTIER	Checked by BCHLDS	Approved by DIERAL	Issue 15/04/10
<b>BRIGADE ELECTRONICS</b>			Scale N/A
<b>BE-89XC/BE-X0XC-SS (#3245)</b>			Edition A
BE-001045-02-10			Sheet 1/1